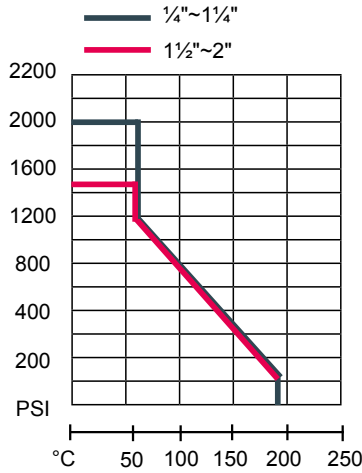


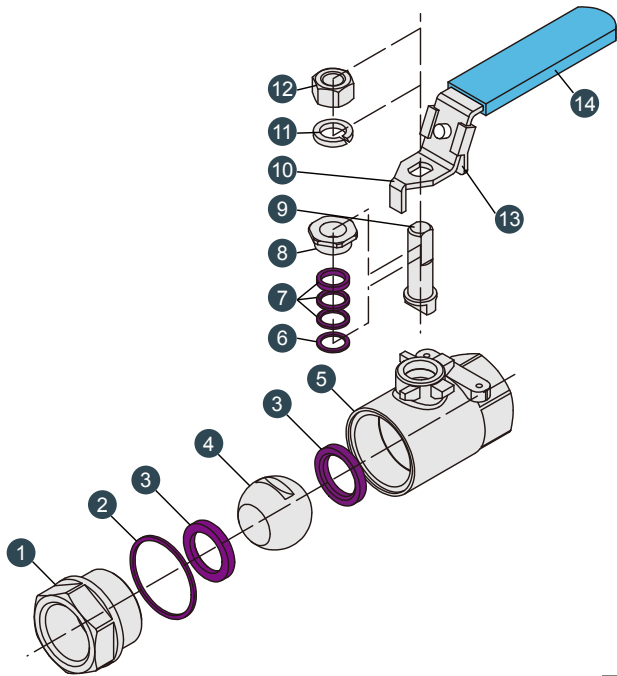
STANDARD:

- Investment Casting Body & Cap
- Blow-Out Proof Stem
- Reduce Port 2000PSI 120Bar
- Pressure Blank Hole in Ball Solt(as request)
- Locking Device Handle Available
- Design Standard:ASME B16.34
- Wall Thickness:ASME B16.34,GB 12224
- Several Handle Material Available
- All Kind of Screws Available
- Inspection Standard:API598

Pressure Temperature Compare



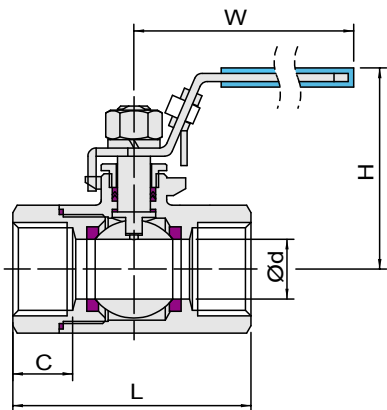
Technical Data			
Test Pressure	Shell Test	18.0	MPA
	Tightness Test	12.5	
	Gas-Tightness Test	0.8	
Max Working Temperature		-20°C~+160°C	
Applicable Medium:Water,Oil,Gas,Acid			



No.	PARTS	MATERIAL		
1	Cap	CF8M	CF8	WCB
2	Gasket	PTFE		R-PTFE
3	Ball Seat	PTFE		R-PTFE
4	Ball	SS316		SS304
5	Body	CF8M	CF8	WCB
6	Thrust Washer	PTFE		R-PTFE
7	Stem Packing	PTFE		R-PTFE
8	Stop Nut	SS304		SS201
9	Stem	SS316		SS304
10	Handle	SS304		SS201
11	Spring Washer	SS304		
12	Stem Nut	SS304		SS201
13	Handle Cover	Plastic		
14	Locking Device	SS304		SS201

PPL & PEEK High temperature ball seat available

Unit:mm



SIZE	d	L	H	W	C	TORQUE N.M
1/4"	10	58	56	95	10	3
3/8"	10	58	56	95	10.5	3
1/2"	12.5	63	56	110	13.5	3.5
3/4"	15	71	63	125	14	4
1"	20	79	68	130	16.5	7.5
1 1/4"	25	90	82	150	19	12.5
1 1/2"	32	105	88	150	19	23
2"	38	116	110	175	23.5	30