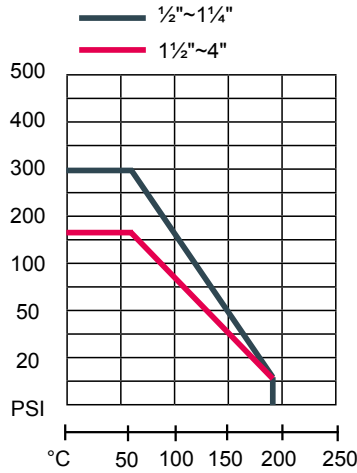


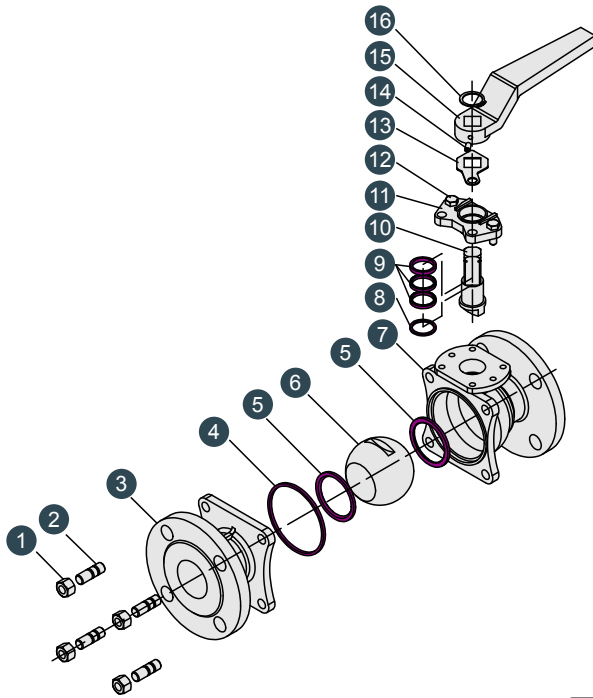
STANDARD:

- Investment Casting Body & Cap
- Blow-Out Proof Stem
- Full Port 2-PC Design DIN PN16-40
- ISO Mounting Pad Top Flange
- Pressure Blance Hole in Ball Solt(as request)
- Locking Device Handle Available
- Fire-Safe Design Available
- Design Standard:ASME B16.34
- Wall Thickness:ASME B16.34,GB 12224
- Flange Standard:DIN2633/2543
- Several Handle Material Available
- Inspection Standard:API598

Pressure Temperature Compare



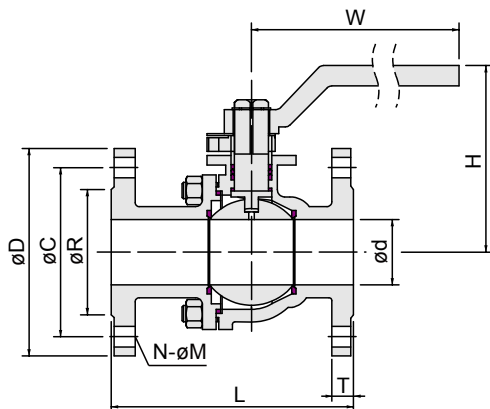
Technical Data			
Test Pressure	Shell Test	9.0	MPA
	Tightness Test	7.50	
	Gas-Tightness Test	0.8	
Max Working temperature		-20°C~+160°C	
Applicable Medium:Water,Oil,Gas,Acid			



No.	PARTS	MATERIAL		
1	Nut	A194-8		
2	Bolt	A193-B8		
3	Cap	CF8M	CF8	WCB
4	Gasket	PTFE	R-PTFE	
5	Ball Seat	PTFE	R-PTFE	
6	Ball	SS316	SS304	
7	Body	CF8M	CF8	WCB
8	Thrust Washer	PTFE	R-PTFE	
9	V-Ring Packing	PTFE	R-PTFE	
10	Stem	SS316	SS304	
11	Gland	CF8	SS201	
12	Bolt	A193-B8		
13	Position Washer	SS201		
14	Bolt	A193-B8		
15	Handle	SS304	SS201	
16	Stop Washer	SS201		

PPL & PEEK High temperature ball seat available

Unit:mm



SIZE	d	L	H	W	R	C	D	N	M	T	TORQUE N.M
1/2"	15	115	78	145	45	65	95	4	14	14	6
3/4"	20	120	80	145	58	75	105	4	14	16	8
1"	25	125	88	145	68	85	115	4	14	16	10
1 1/4"	32	130	100	180	78	100	140	4	18	16	17
1 1/2"	38	140	123	240	88	110	150	4	18	16	22
2"	48	150	130	240	102	125	165	4	18	18	30
2 1/2"	65	170	150	240	122	145	185	4	18	18	45
3"	78	180	165	300	138	160	200	8	18	20	80
4"	98	190	185	300	158	180	220	8	18	20	115