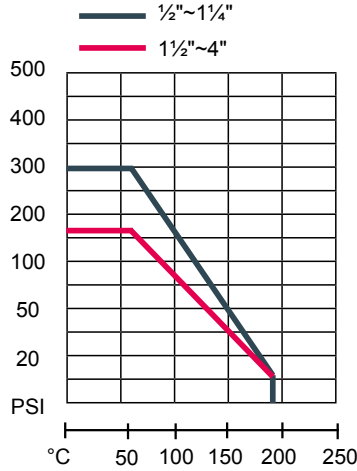


STANDARD:

- Investment Casting Body & Cap
- Blow-Out Proof Stem
- Full Port 2-PC Design PN16-40
- ISO Direct Mounting Pad Top Flange
- Pressure Bance Hole in Ball Solt(as request)
- Anti-Static Device
- Locking Device Handle Available
- Design Standard:ASME B16.34
- Wall Thickness:ASME B16.34,GB 12224
- Flange Standard:DIN2633/2543
- Several Handle Material Available
- Inspection Standard:API598

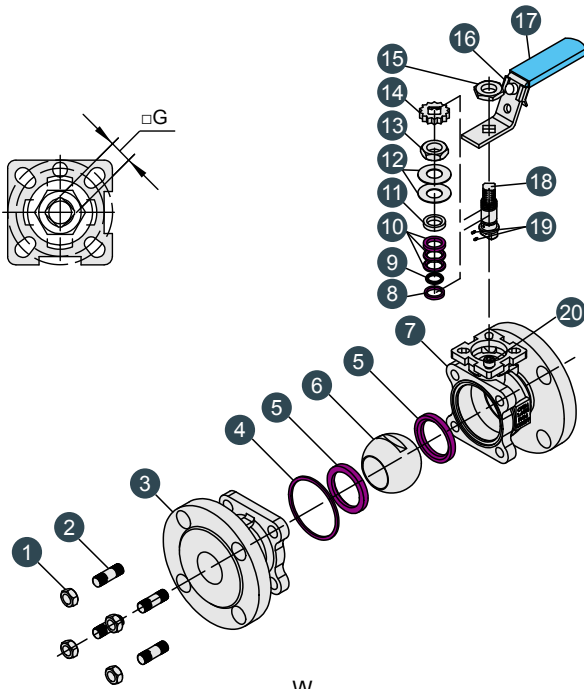
Pressure Temperature Compare



MB2072

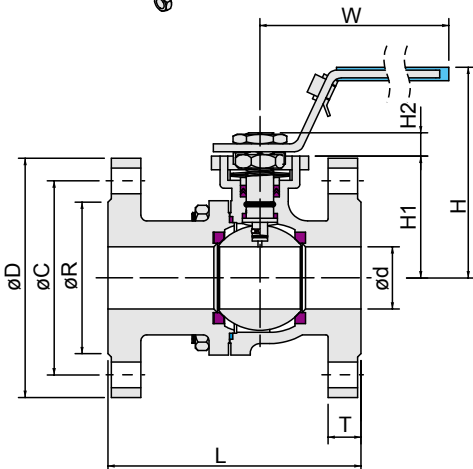


Technical Data			
Test Pressure	Shell Test	9.0	MPA
	Tightness Test	7.50	
	Gas-Tightness Test	0.8	
Max Working Temperature		-20°C~+160°C	
Applicable Medium:Water,Oil,Gas,Acid			



No.	PARTS	MATERIAL		
1	Nut	A194-8		
2	Bolt	A193-B8		
3	Cap	CF8M	CF8	WCB
4	Gasket	PTFE	R-PTFE	
5	Ball Seat	PTFE	R-PTFE	
6	Ball	SS316	SS304	
7	Body	CF8M	CF8	WCB
8	Thrust Washer	PTFE	R-PTFE	
9	O-Ring	VITON		
10	V-Ring Packing	PTFE	R-PTFE	
11	Gland	SS304		
12	Spring Washer	SS04	SS201	
13	Stop Nut	A194-8		
14	Stop Cap	SS304	SS201	
15	Stem Nut	A194-8		
16	Handle	SS304	SS201	
17	Handle Cover	Plastic		
18	Stem	SS316	SS304	
19	Anti-Static	SS304	SS201	
20	Pin	SS304		

Unit:mm



SIZE	d	L	H	W	H1	H2	R	C	D	N	M	G	T	ISO	TORQUE N.M
1/2"	15	115	76	145	49	8	45	65	95	4	14	9	14	F03/04	6
3/4"	20	120	82	145	54	8	58	75	105	4	14	9	16	F03/04	8
1"	25	125	90	145	64	10	68	85	115	4	14	11	16	F04/05	10
1 1/4"	32	130	105	180	71	10	78	100	140	4	18	11	16	F04/05	17
1 1/2"	38	140	128	240	75	14	88	110	150	4	18	14	16	F05/07	22
2"	48	150	133	240	85	14	102	125	165	4	18	14	18	F05/07	30
2 1/2"	65	170	152	240	100	18	122	145	185	4	18	17	18	F07/010	45
3"	78	180	165	300	110	18	138	160	200	8	18	17	20	F07/010	80
4"	98	190	188	300	130	18	158	180	220	8	18	19	20	F07/010	115