

STANDARD:

- Investment Casting Body & Cap
- Blow-Out Proof Stem
- Full Port 3-PC Design
- ISO Mounting Pad Top Flange
- Anti-Static Device
- Pressure Blank Hole in Ball Solt(as request)
- Locking Device Handle Available
- Design Standard:ASME B16.34
- Wall Thickness:ASME B16.34,GB 12224
- Several Handle Material Available
- All Kind of Screws Available
- Inspection Standard:API598

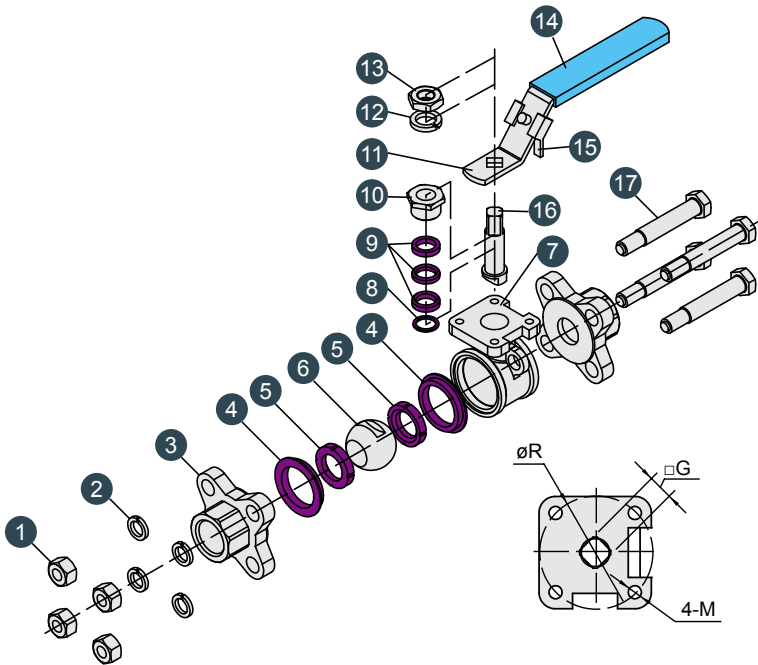
Pressure Temperature Compare



MB3030



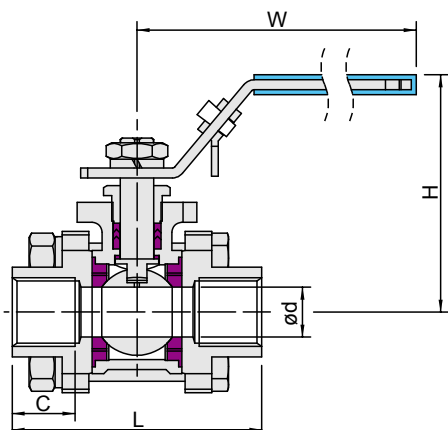
Technical Data			
Test Pressure	Shell Test	10.0	MPA
	Tightness Test	7.50	
	Gas-Tightness Test	0.8	
Max Working Temperature		-20°C~+160°C	
Applicable Medium:Water,Oil,Gas,Acid			



No.	PARTS	MATERIAL		
1	Nut	A194-8		
2	Spring Washer	SS304	SS201	
3	Cap	CF8M	CF8	WCB
4	Gasket	PTFE	R-PTFE	
5	Ball Seat	PTFE	R-PTFE	
6	Ball	SS316	SS304	
7	Body	CF8M	CF8	WCB
8	Thrust Washer	PTFE	R-PTFE	
9	Stem Packing	PTFE	R-PTFE	
10	Stop Nut	SS304	SS201	
11	Spring Washer	SS304	SS201	
12	Handle	SS304	SS201	
13	Spring Washer	SS304		
14	Handle Cover	PLASTIC		
15	Locking Device	SS304	SS201	
16	Stem	SS316	SS04	
17	Bolt	A193-B8		

PPL & PEEK High temperature ball seat available

Unit:mm



SIZE	d	L	H	W	C	R	G	M	TORQUE N.M
1/2"	15	70	63	100	15	36	9	M5	6
3/4"	20	75	66	100	15	36	9	M5	8
1"	25	90	80	150	18	42	11	M5	10
1 1/4"	32	105	83	150	20	42	11	M5	15
1 1/2"	38	115	99	170	22	50	14	M6	20
2"	48	135	105	170	24	50	14	M6	26
2 1/2"	65	165	130	240	28	70	17	M8	45
3"	78	185	140	240	31	70	17	M8	82
4"	98	230	168	305	35	102	19	M8	108