

**STANDARD:**

- Investment Casting Body & Cap
- Blow-Out Proof Stem
- Full Port 3-PC Design ANSI 150#
- Pressure Blank Hole in Ball Solt(as request)
- Locking Device Handle Available
- Design Standard:ASME B16.34
- Wall Thickness:ASME B16.34,GB 12224
- Flange Standard:ASME B16.5
- Fire-Safe Design Available
- Several Handle Material Available
- Inspection Standard:API598

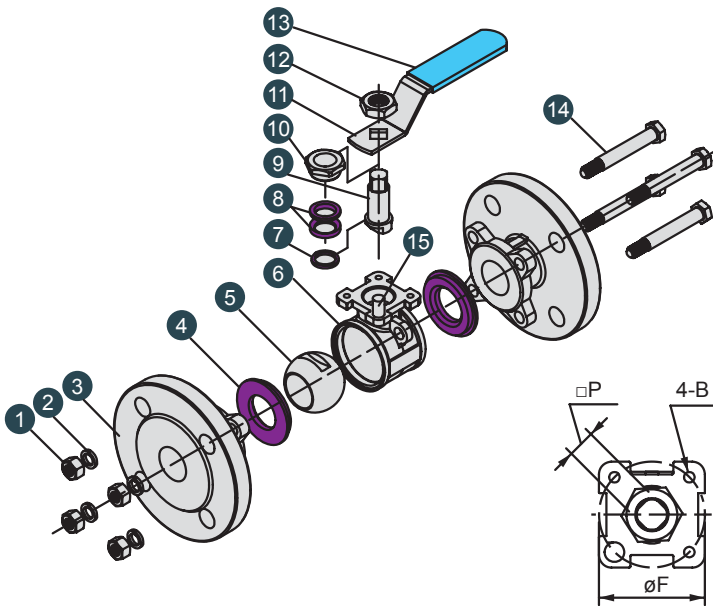
Pressure Temperature Compare



**MB3070**



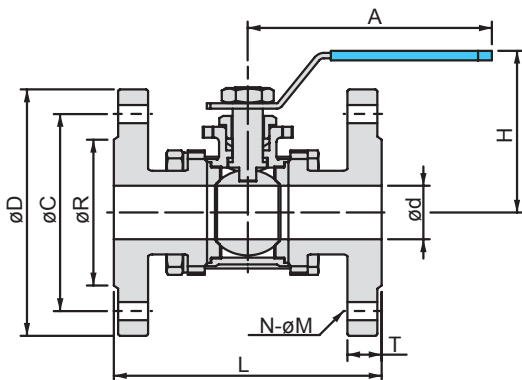
Technical Data			
Test Pressure	Shell Test	9.0	MPA
	Tightness Test	7.50	
	Gas-Tightness Test	0.8	
Max Working temperature		-20°C~+160°C	
Applicable Medium:Water,Oil,Gas,Acid			



No.	PARTS	MATERIAL		
1	Nut	A194-B8		
2	Spring Washer	A193-7		
3	Cap	CF8M	CF8	WCB
4	Ball Seat	PTFE	R-PTFE	
5	Ball	SS316	SS304	
6	Body	CF8M	CF8	WCB
7	Thrust Washer	PTFE		
8	V-Ring Packing	PTFE	R-PTFE	
9	Stem	SS316	SS304	
10	Stop Nut	A194-B8		
11	Handle	SS304	SS201	
12	Stem Nut	A194-B8		
13	Handle Cover	Plastic		
14	Bolt	A193-7		
15	Pin	SS304		

PPL & PEEK High temperature ball seat available

Unit:mm



SIZE	d	L	H	A	R	C	D	N	M	T	P	B	F	TORQUE N.M
1/2"	15	108	65	125	35	60.5	89	4	16	11.2	9	M5	36	8
3/4"	20	117	70	125	43	70	98	4	16	11.2	9	M5	36	10
1"	25	127	80	175	51	79.5	108	4	16	12.0	11	M5	42	13
1 1/4"	32	140	95	175	64	89	117	4	16	12.7	11	M5	42	20
1 1/2"	38	165	120	210	73	99	127	4	16	14.3	14	M6	50	28
2"	48	178	120	210	92	121	152	4	19	15.9	14	M6	50	35
2 1/2"	65	190	140	310	105	140	178	4	19	17.5	17	M8	70	50
3"	78	203	160	310	127	153	191	4	19	19.1	17	M8	70	86
4"	100	229	210	340	157	191	229	8	19	23.9	19	M8	102	116