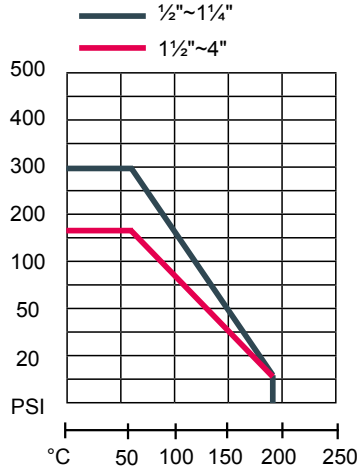


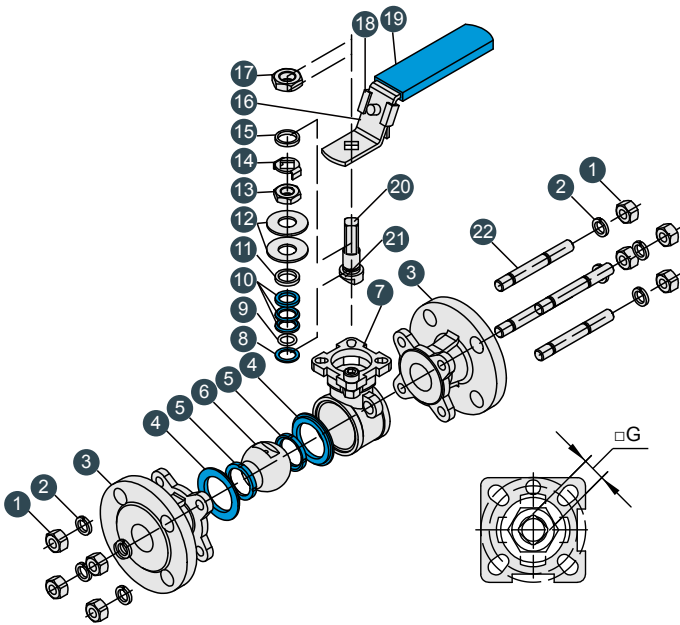
STANDARD:

- Investment Casting Body & Cap
- Blow-Out Proof Stem
- Full Port 3-PC Design ANSI 150#
- Pressure Blank Hole in Ball Solt(as request)
- ISO 5211 Direct Mounting Top Flange
- Locking Device Handle Available
- Design Standard:ASME B16.5
- Wall Thickness:ASME B16.34,GB 12224
- Flange Standard:ASME B16.5
- Fire-Safe Design Available
- Several Handle Material Available
- Inspection Standard:API598

Pressure Temperature Compare



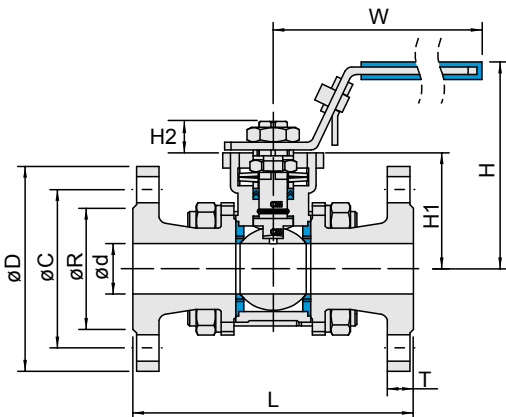
Technical Data			
Test Pressure	Shell Test	10.0	MPA
	Tightness Test	7.50	
	Gas-Tightness Test	0.8	
Max Working temperature		-20°C~+160°C	
Applicable Medium:Water,Oil,Gas,Acid			



No.	PARTS	MATERIAL		
1	Nut	A194-8		
2	Bolt	A193-B8		
3	Cap	CF8M	CF8	WCB
4	Gasket	PTFE	R-PTFE	
5	Ball Seat	PTFE	R-PTFE	
6	Ball	SS316	SS304	
7	Body	CF8M	CF8	WCB
8	Thrust Washer	PTFE		
9	O-Ring	VITON		
10	V-Ring Packing	PTFE	R-PTFE	
11	Gland	SS304		
12	Spring Washer	SS04	SS201	
13	Stop Nut	A194-8		
14	Stop Cap	SS304	SS201	
15	Gland	SS304	SS201	
16	Handle	SS304	SS201	
17	Stem Nut	A194-8		
18	Locking Device	SS304	SS201	
19	Handle Cover	Plastic		
20	Stem	SS316	SS304	
21	Anti-static Device	SS316	SS304	

PPL & PEEK High temperature ball seat available

Unit:mm



SIZE	d	L	H	H1	H2	W	R	C	D	N	M	G	T	ISO	TORQUE N.M
1/2"	15	108	78	49	8	125	35	60.5	89	4	16	9	11.2	F03/04	8
3/4"	20	117	90	54	8	125	43	70	98	4	16	9	11.2	F03/04	10
1"	25	127	93	64	10	175	51	80	108	4	16	11	12.0	F04/05	13
1 1/4"	32	140	99	71	10	175	64	89	117	4	16	11	12.7	F04/05	20
1 1/2"	38	165	110	75	14	210	73	98.5	127	4	16	14	14.3	F05/07	28
2"	48	178	118	85	14	210	92	120.5	152	4	19	14	15.9	F05/07	35
2 1/2"	65	190	150	100	18	310	105	140	178	4	19	17	17.5	F07/010	50
3"	78	203	158	110	18	310	127	152.5	191	4	19	17	19.1	F07/010	86
4"	100	229	165	130	18	350	157	190.5	230	8	19	19	23.9	F07/010	116