

STANDARD:

- Investment Casting Body & Cap
- Blow-Out Proof Stem
- Full Port 3-PC Design PN16-40
- Pressure Blank Hole in Ball Solt(as request)
- ISO 5211 Direct Mounting Top Flange
- Locking Device Handle Available
- Design Standard:ASME B16.34
- Wall Thickness:ASME B16.34,GB 12224
- Flange Standard:DIN2633/2543
- Fire-Safe Design Available
- Several Handle Material Available
- Inspection Standard:API598

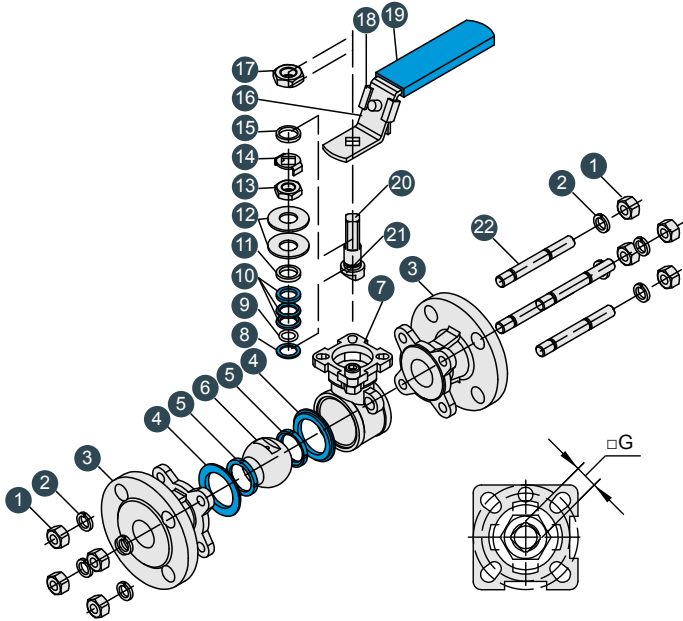
Pressure Temperature Compare



MB3061



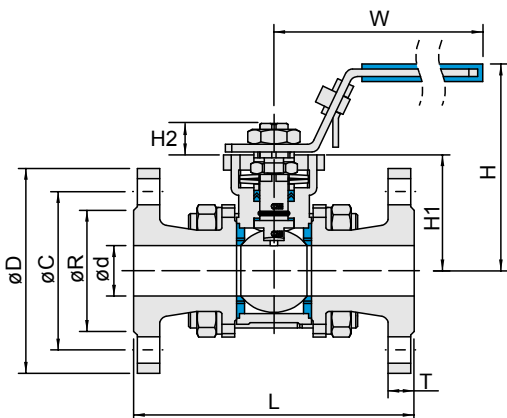
Technical Data			
Test Pressure	Shell Test	10.0	MPA
	Tightness Test	7.50	
	Gas-Tightness Test	0.8	
Max Working Temperature		-20°C~+160°C	
Applicable Medium:Water,Oil,Gas,Acid			



No.	PARTS	MATERIAL		
1	Nut	A194-8		
2	Bolt	A193-B8		
3	Cap	CF8M	CF8	WCB
4	Gasket	PTFE	R-PTFE	
5	Ball Seat	PTFE	R-PTFE	
6	Ball	SS316	SS304	
7	Body	CF8M	CF8	WCB
8	Thrust Washer	PTFE		
9	O-Ring	VITON		
10	V-Ring Packing	PTFE	R-PTFE	
11	Gland	SS304		
12	Spring Washer	SS04	SS201	
13	Stop Nut	A194-8		
14	Stop Cap	SS304	SS201	
15	Gland	SS304	SS201	
16	Handle	SS304	SS201	
17	Stem Nut	A194-8		
18	Locking Device	SS304	SS201	
19	Handle Cover	Plastic		
20	Stem	SS316	SS304	
21	Anti-static Device	SS316	SS304	

PPL & PEEK High temperature ball seat available

Unit:mm



SIZE	d	L	H	H1	H2	W	R	C	D	N	M	T	G	ISO	TORQUE N.M
1/2"	15	115	78	49	8	125	45	65	95	4	14	14	9	F03/04	8
3/4"	20	120	90	54	8	125	58	75	105	4	14	16	9	F03/04	10
1"	25	125	93	64	10	175	68	85	115	4	14	16	11	F04/05	13
1 1/4"	32	130	99	71	10	175	78	100	140	4	18	16	11	F04/05	20
1 1/2"	38	140	110	75	14	210	88	110	150	4	18	18	14	F05/07	28
2"	48	150	118	85	14	210	102	125	165	4	18	18	14	F05/07	35
2 1/2"	65	170	150	100	18	310	122	145	185	4	18	20	17	F07/010	50
3"	78	180	158	110	18	310	138	160	200	8	18	20	17	F07/010	86
4"	100	190	165	130	18	350	158	180	220	8	18	22	19	F07/010	116