

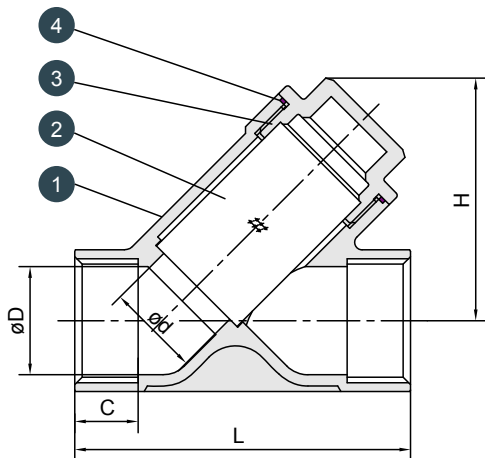
STANDARD:

- Investment Casting Body & Cap
- 800PSI PN40
- Design Standard:ASME B16.34
- Mesh 10 to 120
- Inspection Standard:API598



MS1010

Technical Data			
Test Pressure	Shell Test	7.5	MPA
	Tightness Test	6.0	
	Gas-Tightness Test	0.8	
Max Working temperature		-40°C~+180°C	
Applicable Medium:Water,Oil,Gas,Acid			



No.	PART NAME	MATERIAL	
1	Body	CF8M	CF8
2	Mesh	SS316	SS304
3	Cap	CF8M	CF8
4	Body Gasket	PTFE	

Unit:mm

SIZE	d	L	C	D
1/2"	15	65	14	17
3/4"	20	80	14	23
1"	25	90	18	30
1 1/4"	32	105	19	38
1 1/2"	38	118	20	43.5
2"	48	138	21	55
2 1/2"	62	180	25.5	65
3"	77	200	28	82