

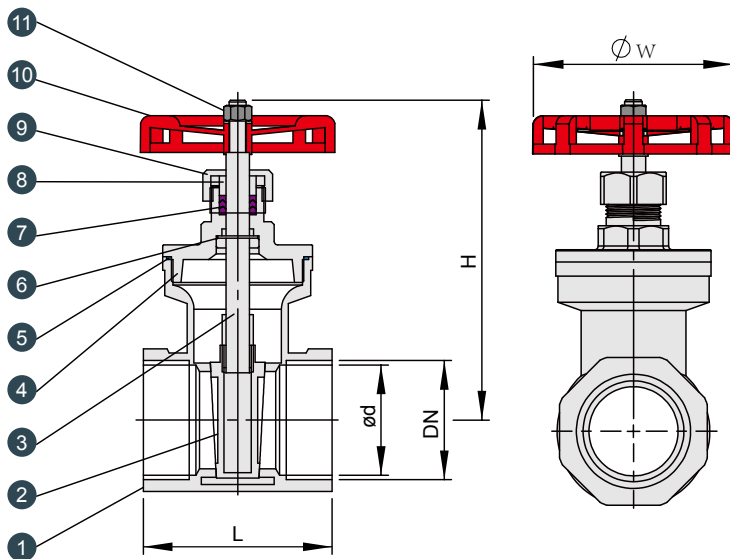
**STANDARD:**

- Investment Casting Body & Cap
- 200PSI
- Wheel Handle Operation
- All Kind of Screws Available
- Locking Device Handle Available
- Design Standard:ASME B16.34
- Wall Thickness:ASME B16.34,GB 12224
- Inspection Standard:API598



**MG1010**

Technical Date			
Test Pressure	Shell Test	2.0	MPA
	Tightness Test	2.5	
	Gas-Tightness Test	0.8	
Max Working temperature		-40°C~+160°C	
Applicable Medium:Water,Oil,Gas,Acid			



No.	PARTS	MATERIAL		
1	Body	CF8M	CF8	SS201
2	Disc	CF8M	CF8	SS201
3	Stem	SS316	SS304	SS201
4	Bonnet	CF8M	CF8	SS201
5	Gasket Packing	PTFE		
6	Gland	SS316	SS304	SS201
7	Stem Packing	PTFE		
8	Gland	SS316	SS304	SS201
9	Stop Cap	CF8M	CF8	SS201
10	Wheel Handle	Aluminum		
11	Nut	SS04	SS201	

Unit:mm

SIZE	DN	d	L	H	W
1/2"	15	15	52	98	70
3/4"	20	20	58	106	70
1"	25	25	63	118	80
1 1/4"	32	32	68	125	90
1 1/2"	40	38	71	150	90
2"	50	48	84	169	100
2-1/2"	65	65	108	180	100
3"	80	78	117	205	120
4"	100	98	130	215	130