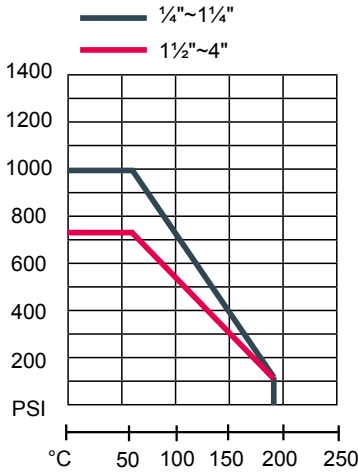


STANDARD:

- Investment Casting Body & Cap
- Blow-Out Proof Stem
- Full Port 3-PC Design
- Pressure Bance Hole in Ball Solt(as request)
- Locking Device Handle Available
- Design Standard:ASME B16.34
- Wall Thickness:ASME B16.34,GB 12224
- Several Handle Material Available
- All Kind of Screws Available
- Inspection Standard:API598

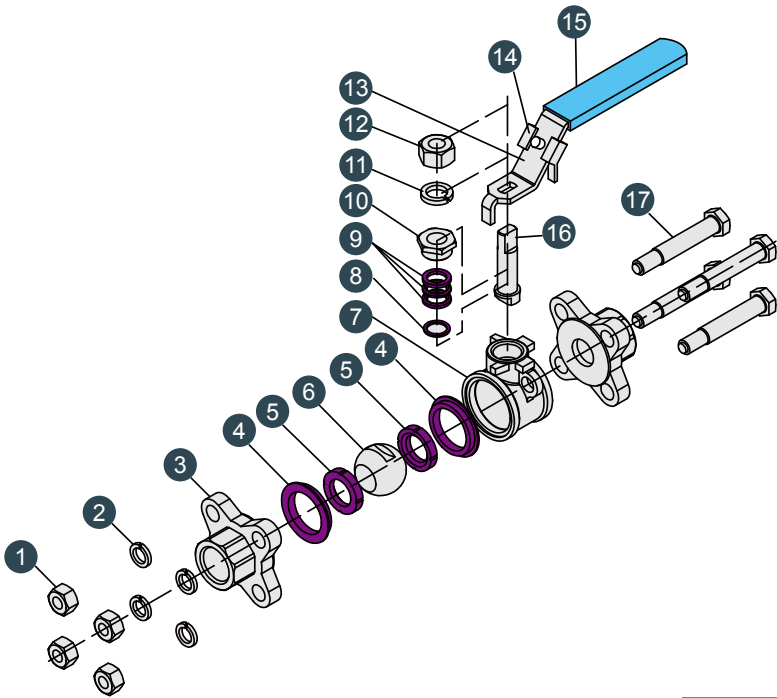
Pressure Temperature Compare



MB3010



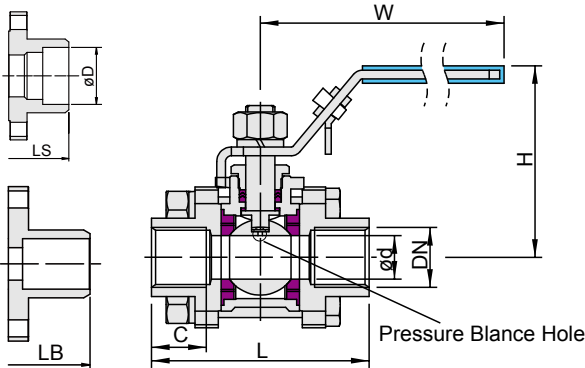
Technical Data			
Test Pressure	Shell Test	10.0	MPA
	Tightness Test	7.50	
	Gas-Tightness Test	0.8	
Max Working Temperature		-20°C~+160°C	
Applicable Medium:Water,Oil,Gas,Acid			



No.	PARTS	MATERIAL		
1	Nut	A194-8		
2	Spring Washer	SS304	SS201	
3	Cap	CF8M	CF8	WCB
4	Gasket	PTFE	R-PTFE	
5	Ball Seat	PTFE	R-PTFE	
6	Ball	SS316	SS304	
7	Body	CF8M	CF8	WCB
8	Thrust Washer	PTFE	R-PTFE	
9	Stem Packing	PTFE	R-PTFE	
10	Stop Nut	SS304	SS201	
11	Spring Washer	SS304	SS201	
12	Handle	SS304	SS201	
13	Spring Washer	SS304		
14	Locking Device	SS201		
15	Handle Cover	PLASTIC		
16	Stem	SS316	SS304	
17	Bolt	A193-B8		

PPL & PEEK High temperature ball seat available

Unit:mm



SIZE	d	L	LB	LS	H	W	C	TORQUE N.M
1/4"	10	55	58	55	59	95	12	3
3/8"	10	55	58	55	59	95	12	4
1/2"	15	62	66	62	59	105	14	5
3/4"	20	70	76	70	65	125	15	8
1"	25	80	85	80	67	125	17	10
1 1/4"	32	92	97	92	80	150	19	15
1 1/2"	38	105	115	105	90	170	20	22
2"	48	123	133	123	99	170	23	26
2 1/2"	65	162	165	162	120	200	28	45
3"	78	180	183	180	135	240	30	78
4"	98	225	233	225	163	290	34	110