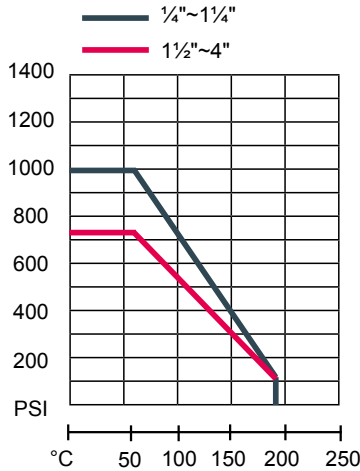


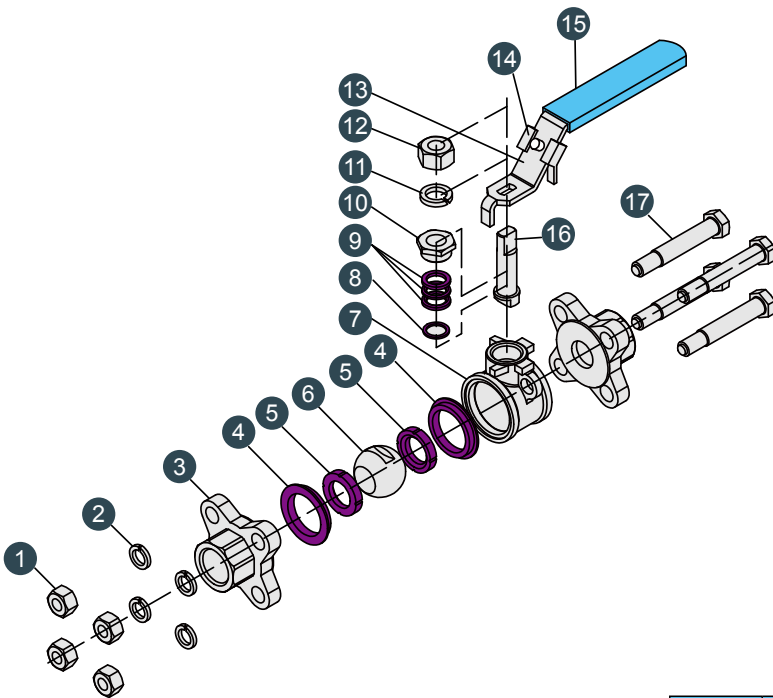
STANDARD:

- Investment Casting Body & Cap
- Blow-Out Proof Stem
- Full Port 3-PC Design
- Face to Face: DIN3202-M3/S13
- Pressure Bance Hole in Ball Solt(as request)
- Locking Device Handle Available
- Design Standard: ASME B16.34
- Wall Thickness: ASME B16.34, GB 12224
- Several Handle Material Available
- All Kind of Screws Available
- Inspection Standard: API598

Pressure Temperature Compare

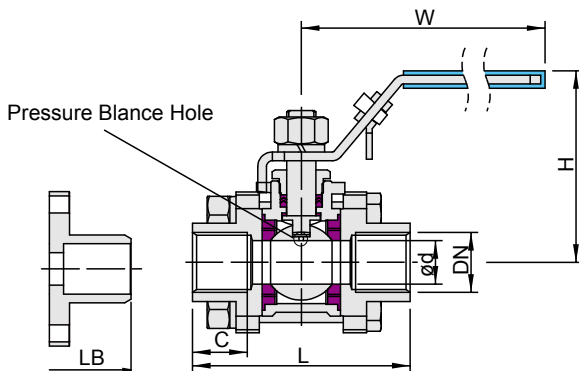


| Technical Data | | | |
|--|--------------------|--------------|-----|
| Test Pressure | Shell Test | 10.0 | MPA |
| | Tightness Test | 7.50 | |
| | Gas-Tightness Test | 0.8 | |
| Max Working temperature | | -20°C~+160°C | |
| Applicable Medium: Water, Oil, Gas, Acid | | | |



| No. | PARTS | MATERIAL | | |
|-----|----------------|----------|--------|-----|
| 1 | Nut | A194-8 | | |
| 2 | Spring Washer | SS304 | SS201 | |
| 3 | Cap | CF8M | CF8 | WCB |
| 4 | Gasket | PTFE | R-PTFE | |
| 5 | Ball Seat | PTFE | R-PTFE | |
| 6 | Ball | SS316 | SS304 | |
| 7 | Body | CF8M | CF8 | WCB |
| 8 | Thrust Washer | PTFE | R-PTFE | |
| 9 | Stem Packing | PTFE | R-PTFE | |
| 10 | Stop Nut | SS304 | SS201 | |
| 11 | Spring Washer | SS304 | SS201 | |
| 12 | Handle | SS304 | SS201 | |
| 13 | Spring Washer | SS304 | | |
| 14 | Locking Device | SS201 | | |
| 15 | Handle Cover | PLASTIC | | |
| 16 | Stem | SS316 | SS304 | |
| 17 | Bolt | A193-B8 | | |

PPL & PEEK High temperature ball seat available



Unit:mm

| SIZE | d | L | LB | H | W | C | TORQUE N.M |
|--------|----|-----|-----|-----|-----|----|------------|
| 1/4" | 10 | 50 | 70 | 53 | 95 | 12 | 3 |
| 3/8" | 10 | 60 | 70 | 56 | 95 | 12 | 4 |
| 1/2" | 15 | 75 | 75 | 65 | 105 | 16 | 5 |
| 3/4" | 20 | 80 | 90 | 65 | 125 | 17 | 8 |
| 1" | 25 | 90 | 100 | 75 | 125 | 19 | 10 |
| 1 1/4" | 32 | 110 | 110 | 82 | 150 | 24 | 15 |
| 1 1/2" | 38 | 120 | 125 | 91 | 170 | 24 | 22 |
| 2" | 48 | 140 | 150 | 100 | 170 | 25 | 26 |
| 2 1/2" | 65 | 185 | 190 | 125 | 200 | 38 | 45 |
| 3" | 78 | 205 | 220 | 132 | 240 | 38 | 78 |
| 4" | 98 | 240 | 270 | 155 | 290 | 39 | 110 |