

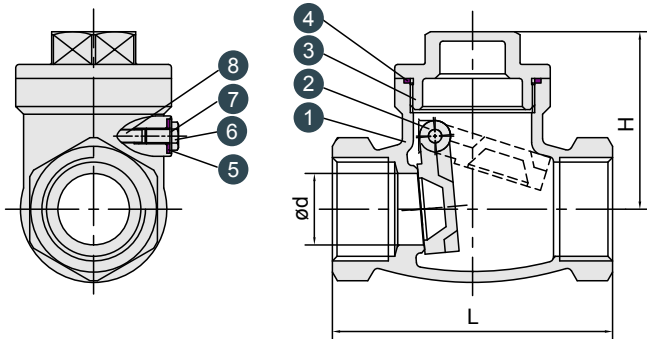
STANDARD:

- Investment Casting Body & Cap
- 200PSI PN16
- Full Port
- All Kind of Thread Standard Available
- Design Standard: ASME B16.34
- Inspection Standard: API598

Technical Data			
Test Pressure	Shell Test	3.0	MPA
	Tightness Test	3.5	
	Gas-Tightness Test	0.8	
Max Working temperature		-40°C~+250°C	
Applicable Medium: Water, Oil, Gas, Acid			



MC1010



No.	PART NAME	MATERIAL	
1	Body	CF8M	CF8
2	Disc	CF8M	CF8
3	Cap	SS316	SS304
4	Body Gasket	CF8M	CF8
5	Pin	PTFE	
6	Plain Washer	SS316	SS304
7	Bolt	PTFE	
8	Gasket	SS316	SS304

Unit:mm

SIZE	d	L	H
1/4"	10	56	36
3/8"	10	56	36
1/2"	15	63	41
3/4"	20	80	50
1"	25	88	58
1 1/4"	32	102	60
1 1/2"	38	113	71
2"	48	136	76