

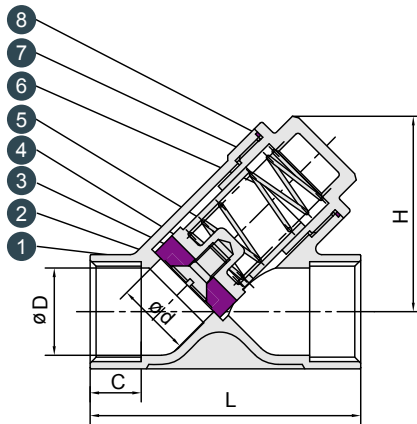
STANDARD:

- Investment Casting Body & Cap
- 800PSI PN40
- Full Port
- All Kind of Thread Standard Available
- Design Standard:ASME B16.34
- Inspection Standard:API598



MC1020

Technical Data			
Test Pressure	Shell Test	3.0	MPA
	Tightness Test	3.5	
	Gas-Tightness Test	0.8	
Max Working temperature		-40°C~+250°C	
Applicable Medium:Water,Oil,Gas,Acid			



No.	PART NAME	MATERIAL	
1	Body	CF8M	CF8
2	Disc	CF8M	CF8
3	Cap	SS316	SS304
4	Body Gasket	CF8M	CF8
5	Pin	PTFE	
6	Plain Washer	SS316	SS304
7	Bolt	PTFE	
8	Gasket	SS316	SS304

Unit:mm

SIZE	d	L	H	D	C
1/2"	15	64	45	17	13.5
3/4"	20	79	51	22	15.5
1"	25	90	65	30	18
1¼"	32	110	70	39	20
1½"	38	120	80	44	20
2"	48	140	96	56	21
2½"	65	185	122	68	23
3"	80	205	150	81	26